

Application

Designed to house electrical and electronic controls, instruments and components in areas which may be regularly hosed down or are in very wet conditions. Provides a degree of protection from dust, dirt, oil, and water. For outdoor applications a drip shield is recommended. For installation information, consult our installation manual at www.saginawcontrol.com.

Construction

- 0.075" stainless steel Type 316.
- Seams continuously welded and ground smooth.
- Flange trough collar around all sides of door opening.
- Pour in place oil and water resistant gasket.
- Collar studs provided for mounting optional subpanels.
- Stainless steel concealed hinges.
- Removable and interchangeable doors.
- Black quarter turn latches.
- Latches are opened or closed with a screwdriver (optional tamper-resistant inserts are available).
- Mounting holes in back of enclosure.
- Mounting hardware, sealing washers and hole plugs included.
- Removable print pocket furnished if height and width of enclosure is greater than 12".
- Ground studs on door and body.

Finish

#4 brushed finish on all exterior surfaces. Optional subpanels powder coated white.

Options

- Optional mounting feet available.
- Door hardware available.

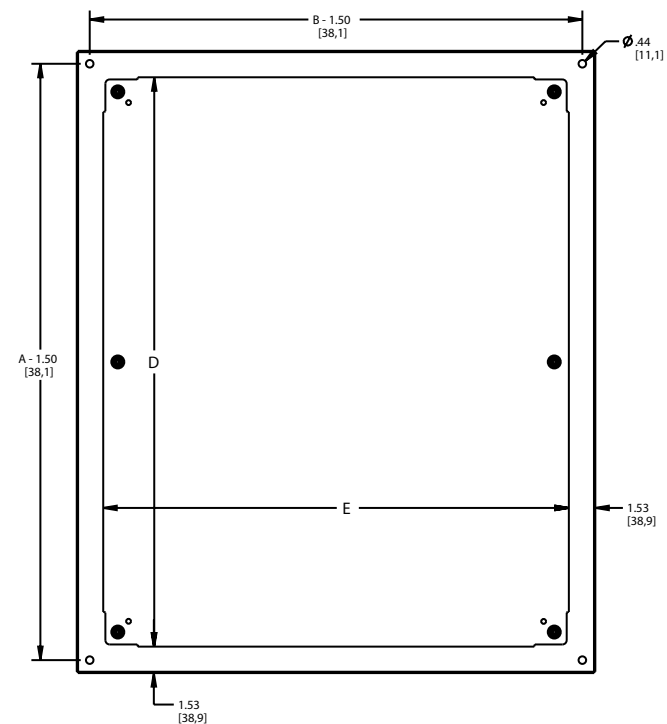
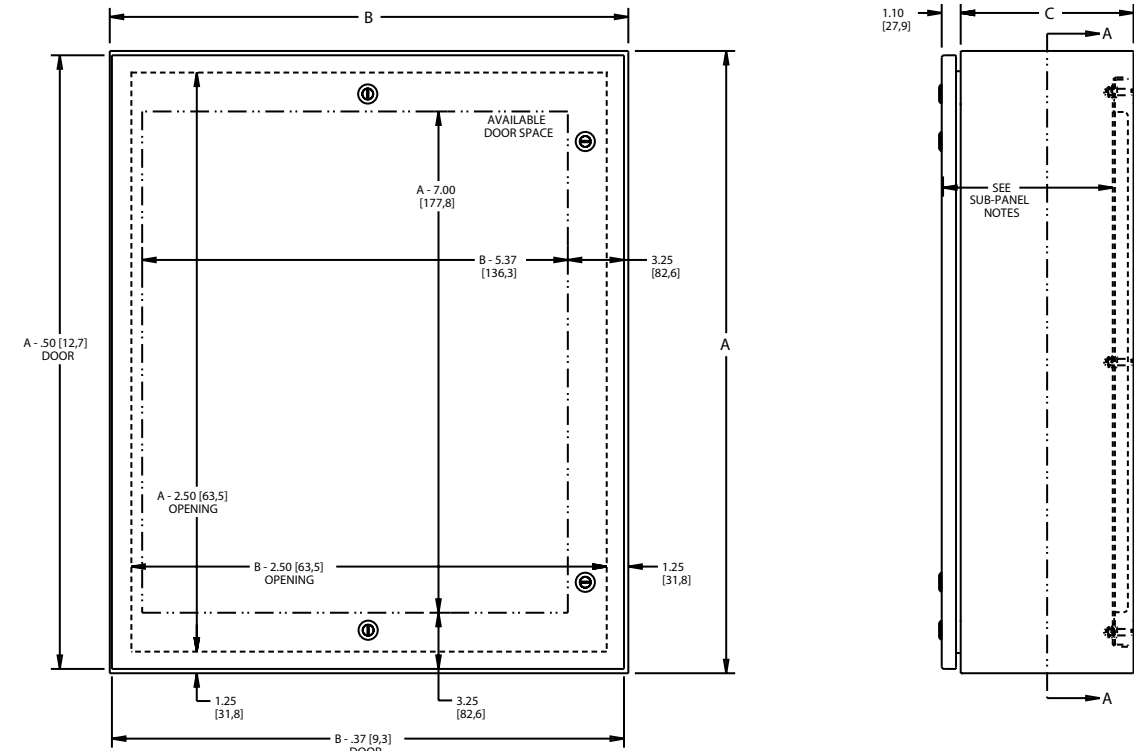
IS6 Industry Standards

NEMA Type 3R, 4, 4X, 12 & Type 13
UL Listed Type 3R, 4, 4X & 12
CSA Type 3R, 4, 4X & 12
IEC 60529 IP66

***To maintain Type 3R listing, drainage is required. Install equally rated drainage device or drill a 1/8 to 1/4 inch hole in the bottom center of the enclosure, approximately 1 inch from the right, and 1 inch from the left for drainage, use listed rain-tight or wet location hubs. Drip shield over the door is recommended for all outdoor applications.



Catalog No.	Enclosure Product Code S5				Subpanel (P3)		
	Height (A)	Width (B)	Depth (C)	Industry Standard	Catalog No.	Panel Height (D)	Panel Width (E)
SCE-12EL1206SS6LP	12.00	12.00	6.00	IS6	SCE-12DLP12	9.00	9.00
SCE-12EL2406SS6LP	12.00	24.00	6.00	IS6	SCE-12P24	9.00	21.00
SCE-16EL1206SS6LP	16.00	12.00	6.00	IS6	SCE-16P12	13.00	9.00
SCE-16EL1208SS6LP	16.00	12.00	8.00	IS6	SCE-16P12	13.00	9.00
SCE-16EL1606SS6LP	16.00	16.00	6.00	IS6	SCE-16P16	13.00	13.00
SCE-16EL1608SS6LP	16.00	16.00	8.00	IS6	SCE-16P16	13.00	13.00
SCE-16EL2008SS6LP	16.00	20.00	8.00	IS6	SCE-20P16	17.00	13.00
SCE-20EL1606SS6LP	20.00	16.00	6.00	IS6	SCE-20P16	17.00	13.00
SCE-20EL1608SS6LP	20.00	16.00	8.00	IS6	SCE-20P16	17.00	13.00
SCE-20EL1610SS6LP	20.00	16.00	10.00	IS6	SCE-20P16	17.00	13.00
SCE-20EL2006SS6LP	20.00	20.00	6.00	IS6	SCE-20P20	17.00	17.00
SCE-20EL2008SS6LP	20.00	20.00	8.00	IS6	SCE-20P20	17.00	17.00
SCE-20EL2010SS6LP	20.00	20.00	10.00	IS6	SCE-20P20	17.00	17.00
SCE-20EL2408SS6LP	20.00	24.00	8.00	IS6	SCE-24P20	21.00	17.00
SCE-24EL1608SS6LP	24.00	16.00	8.00	IS6	SCE-24P16	21.00	13.00
SCE-24EL2006SS6LP	24.00	20.00	6.00	IS6	SCE-24P20	21.00	17.00
SCE-24EL2008SS6LP	24.00	20.00	8.00	IS6	SCE-24P20	21.00	17.00
SCE-24EL2010SS6LP	24.00	20.00	10.00	IS6	SCE-24P20	21.00	17.00
SCE-24EL2012SS6LP	24.00	20.00	12.00	IS6	SCE-24P20	21.00	17.00
SCE-24EL2408SS6LP	24.00	24.00	8.00	IS6	SCE-24P24	21.00	21.00
SCE-24EL2410SS6LP	24.00	24.00	10.00	IS6	SCE-24P24	21.00	21.00
SCE-24EL2412SS6LP	24.00	24.00	12.00	IS6	SCE-24P24	21.00	21.00
SCE-24EL2416SS6LP	24.00	24.00	16.00	IS6	SCE-24P24	21.00	21.00
SCE-24EL3008SS6LP	24.00	30.00	8.00	IS6	SCE-30P24	27.00	21.00
SCE-24EL3010SS6LP	24.00	30.00	10.00	IS6	SCE-30P24	27.00	21.00
SCE-30EL1606SS6LP	30.00	16.00	6.00	IS6	SCE-30P16	27.00	13.00
SCE-30EL2008SS6LP	30.00	20.00	8.00	IS6	SCE-30P20	27.00	17.00
SCE-30EL2010SS6LP	30.00	20.00	10.00	IS6	SCE-30P20	27.00	17.00
SCE-30EL2408SS6LP	30.00	24.00	8.00	IS6	SCE-30P24	27.00	21.00
SCE-30EL2410SS6LP	30.00	24.00	10.00	IS6	SCE-30P24	27.00	21.00
SCE-30EL2412SS6LP	30.00	24.00	12.00	IS6	SCE-30P24	27.00	21.00
SCE-30EL2416SS6LP	30.00	24.00	16.00	IS6	SCE-30P24	27.00	21.00
SCE-30EL3008SS6LP	30.00	30.00	8.00	IS6	SCE-30P30	27.00	27.00
SCE-30EL3010SS6LP	30.00	30.00	10.00	IS6	SCE-30P30	27.00	27.00
SCE-30EL3012SS6LP	30.00	30.00	12.00	IS6	SCE-30P30	27.00	27.00
SCE-30EL3608SS6LP	30.00	36.00	8.00	IS6	SCE-36P30	33.00	27.00
SCE-36EL2408SS6LP	36.00	24.00	8.00	IS6	SCE-36P24	33.00	21.00
SCE-36EL2410SS6LP	36.00	24.00	10.00	IS6	SCE-36P24	33.00	21.00
SCE-36EL3008SS6LP	36.00	30.00	8.00	IS6	SCE-36P30	33.00	27.00
SCE-36EL3010SS6LP	36.00	30.00	10.00	IS6	SCE-36P30	33.00	27.00
SCE-36EL3012SS6LP	36.00	30.00	12.00	IS6	SCE-36P30	33.00	27.00
SCE-36EL3608SS6LP	36.00	36.00	8.00	IS6	SCE-36P36	33.00	33.00
SCE-36EL3612SS6LP	36.00	36.00	12.00	IS6	SCE-36P36	33.00	33.00
SCE-42EL2410SS6LP	42.00	24.00	10.00	IS6	SCE-42P24	39.00	21.00
SCE-42EL3010SS6LP	42.00	30.00	10.00	IS6	SCE-42P30	39.00	27.00
SCE-42EL3612SS6LP	42.00	36.00	12.00	IS6	SCE-42P36	39.00	33.00
SCE-42EL3616SS6LP	42.00	36.00	16.00	IS6	SCE-42P36	39.00	33.00
SCE-48EL3612SS6LP	48.00	36.00	12.00	IS6	SCE-48P36	45.00	33.00
SCE-48EL3616SS6LP	48.00	36.00	16.00	IS6	SCE-48P36	45.00	33.00
SCE-60EL3612SS6LP	60.00	36.00	12.00	IS6	SCE-60P36	57.00	33.00
SCE-60EL3616SS6LP	60.00	36.00	16.00	IS6	SCE-60P36	57.00	33.00
SCE-72EL3016SS6LP	72.00	30.00	16.00	IS6	SCE-72P30	69.00	27.00
SCE-72EL3612SS6LP	72.00	36.00	12.00	IS6	SCE-72P36	69.00	33.00
SCE-72EL3616SS6LP	72.00	36.00	16.00	IS6	SCE-72P36	69.00	33.00



SECTION A-A

SUB-PANEL NOTES:
Dimensions are from the inside of the door
C + 0.32 [8,1] for flat sub-panels
C - 0.18 [4,5] for bent sub-panels

LATCH NOTES:
Enclosures < 24.00" [609,6] in height require only one latch centered on door.
Enclosures >= 24.00" [609,6] and < 40.00" [1016] in height require two latches on door.
Enclosures >= 40.00" [1016] require three latches on door.
Omit center latch top and bottom of door when door width is <= 30.00" [762]